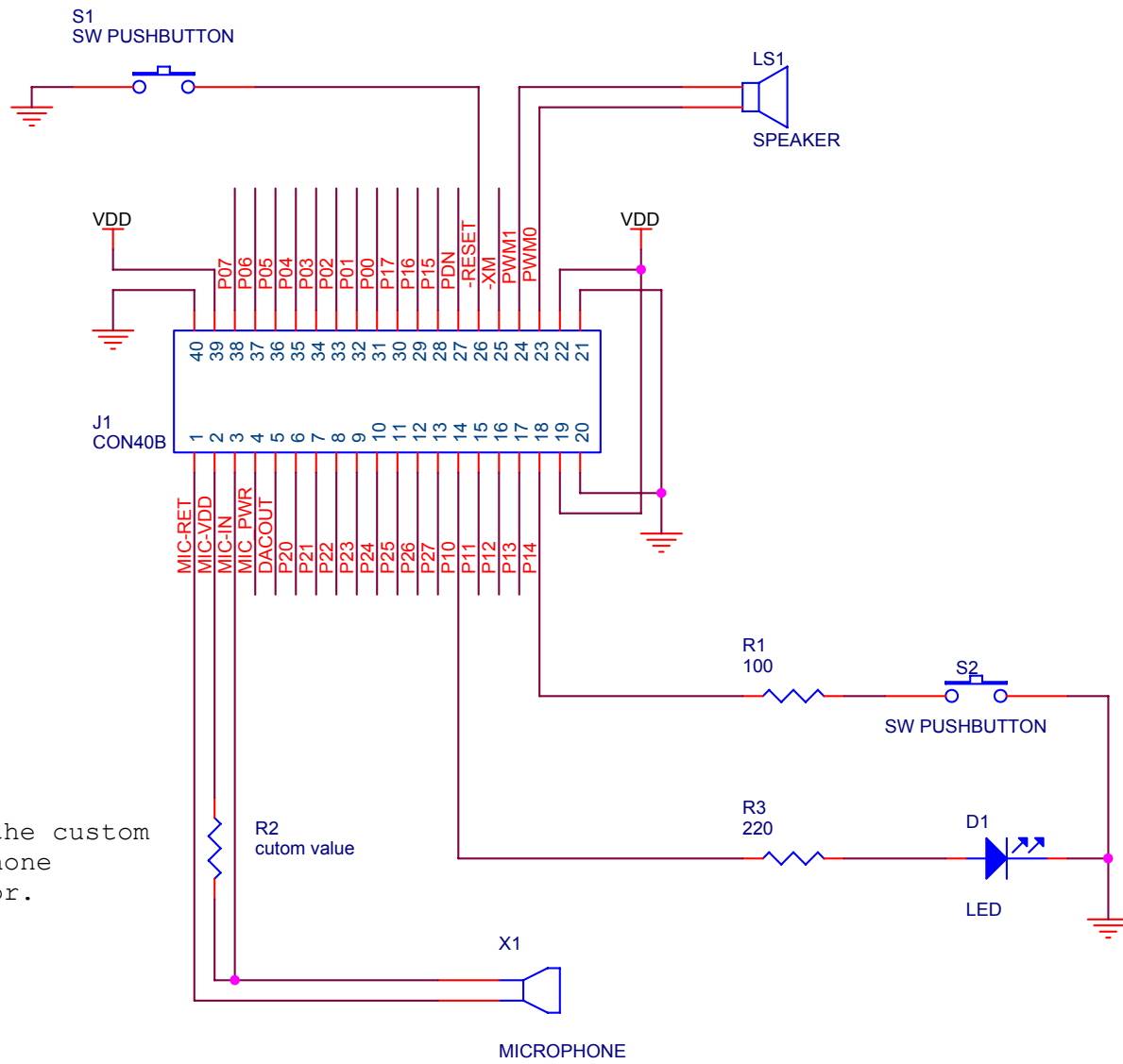


Using the custom microphone resistor.



Title		
VR Stamp Application - Sample Schematic		
Size	Document Number	Rev
A	{Doc}	1
Date:	Thursday, October 21, 2004	Sheet 1 of 1